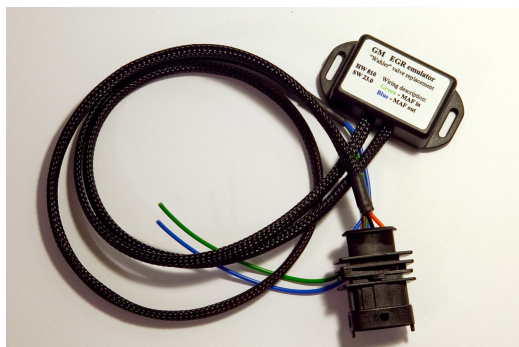


EGR valve emulator EML810/23 installation guide

2013.11.29 edition 01

Emulator used to replace broken „Wahler“ EGR valve with electrical control



Wiring description:

4 Pin connector:

- 1 (orange) EGR valve control from engine ECU
- 2 (black) +12V supply voltage
- 3 (brown) Ground
- 4 (blue) Feed back signal to engine ECU

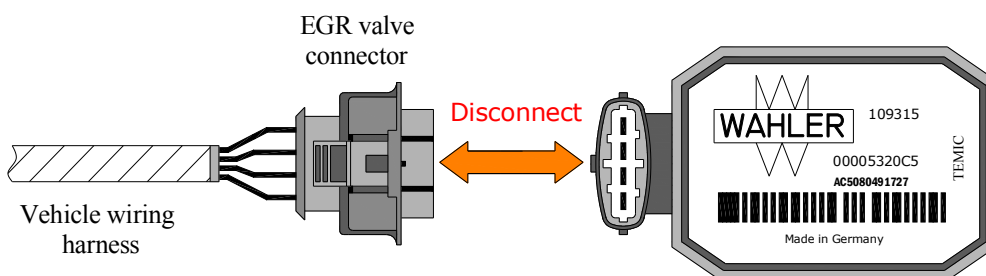
Separated two wires:

- Green MAF (mass air flow meter) signal input
- Blue MAF output

Installation in GM group (Opel, SAAB)

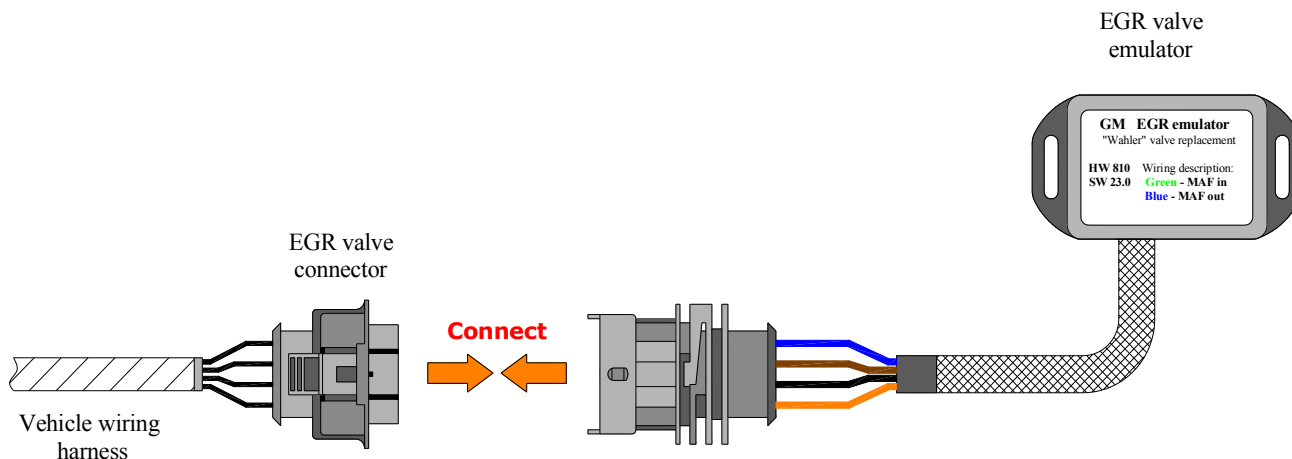
Step A

Disconnect 4pin connector from EGR valve



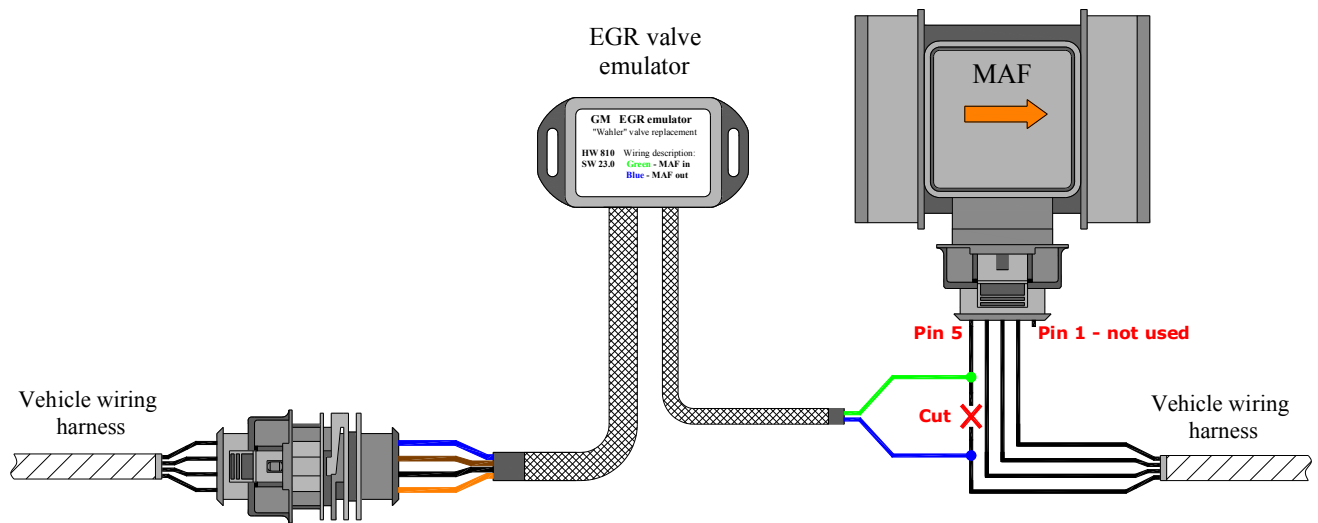
Step B

Disconnected EGR valve connector connect to emulator 4pin connector



Step C

Cut wire from MAF (mass air flow meter) pin5,
and connect emulator **green** and **blue** wires as shown in schematic diagram below.



[!] NOTE

Installation completed.

Normal emulator operation, EGR valve should be closed

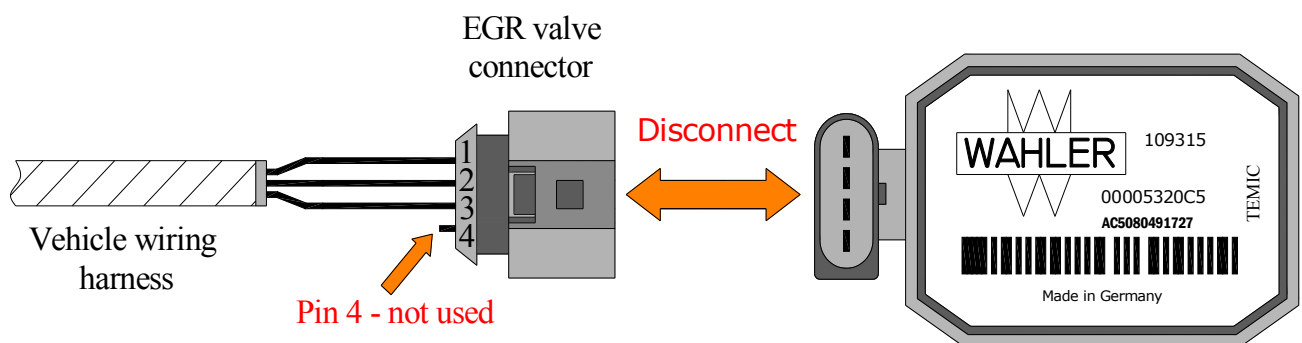
Check EGR valve, if not closed, close it.

Installation in Mercedes Benz

Emulator EML810/23 electrically compatible with MB cars that use a "Wahler" EGR valves, but the connectors in MB cars a different. Emulator installation will require additional wires with "male" and "female" connections on the end of wires.

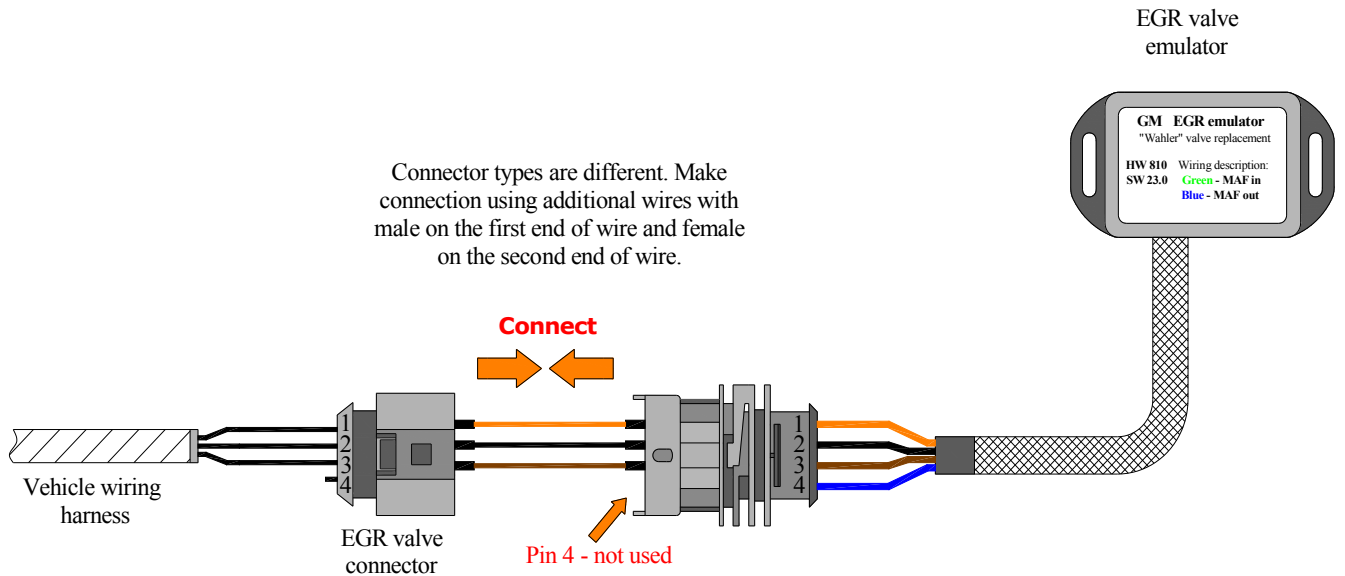
Step A

Disconnect 4pin connector from EGR valve



Step B

Disconnected EGR valve connector connect to emulator 4pin connector, using additional wires



Step C

MB cars have different air flow meters.

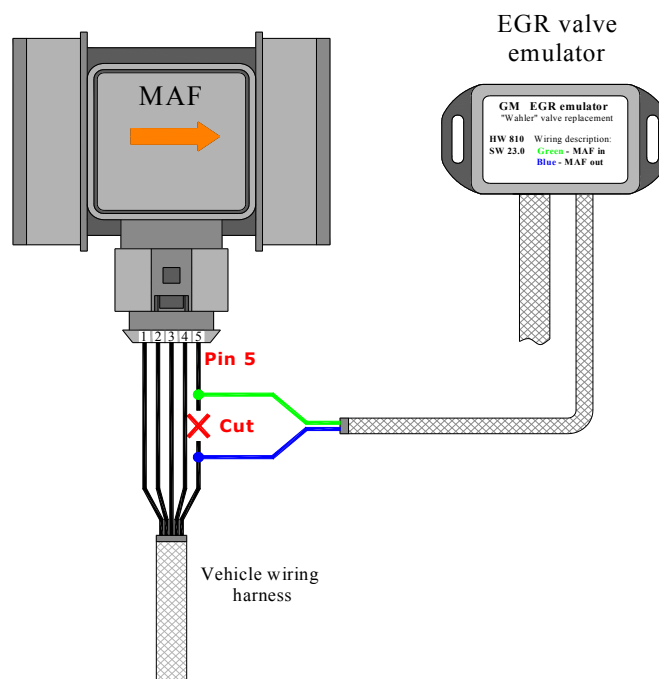
In diagrams shown most common variants, but before cutting signal wire check it:

1. Connect voltmeter between GND (ground) and checked wire
2. When ignition on, engine stopped – voltage must be **1V**
3. When engine running in idle state – voltage must be between **1.5-2.5V**

DO NOT CONNECT emulator if voltage on wire 5 and more volts! Its not signal wire.

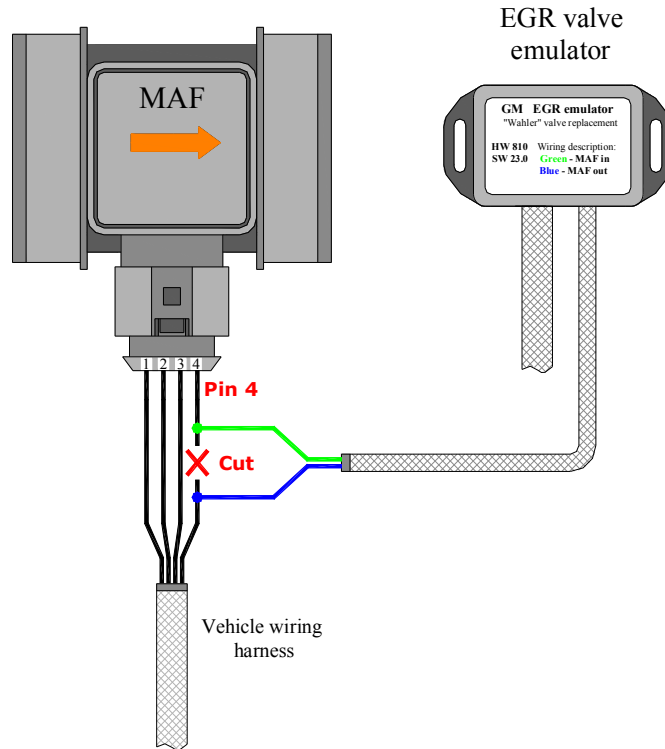
MAF with 5 contacts

Cut wire from MAF (mass air flow meter) pin5, and connect emulator green and blue wires as shown in schematic diagram below.



MAF with 4 contacts

Cut wire from MAF (mass air flow meter) pin4,
and connect emulator **green** and **blue** wires as shown in schematic diagram below.



[!] NOTE

Installation completed.

Normal emulator operation, EGR valve should be closed

Check EGR valve, if not closed, close it.