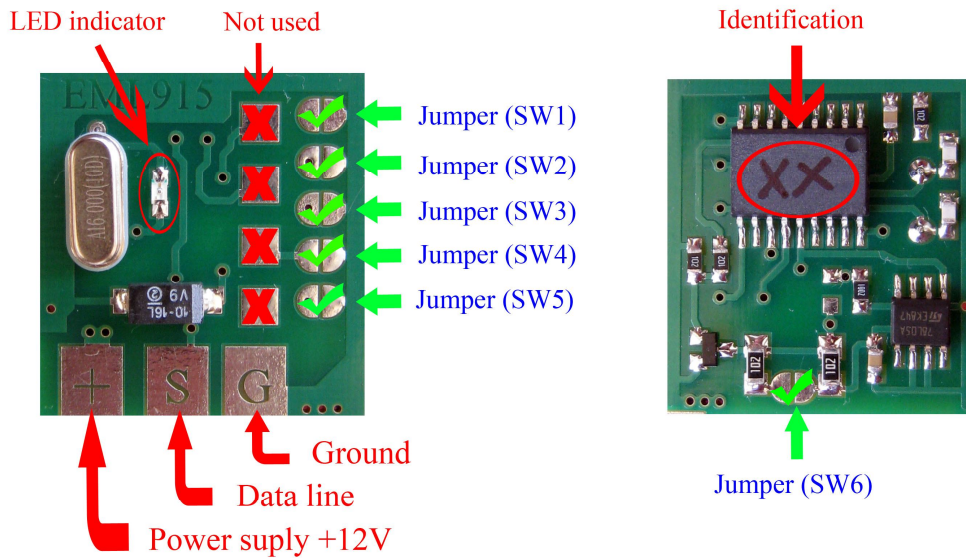


# EML915/U3 SRS (Airbag) universal emulator



### Selection of functions and LED indication:

Function	Jumpers (SW)						LED
	1	2	3	4	5	6	
<b>(Self Test)</b> – Self testing function	0	0	0	0	0	0	1. <b>LED flashing</b> – status OK 2. <b>LED continuously go on</b> –Signal wire short to ground.
<b>MB V.1</b> (Vito 638, C class 202, A class 168, ML (1997-2000))	<b>Ocuped</b>	1	0	0	0	1	Short flash after power on
	<b>Not ocup.</b>	1	0	0	0	1	
<b>MB V.2</b> (A class 168, E class 210, C class 203, Vito 639, ML 163 (1999-2005))	<b>Ocuped</b>	1	0	0	1	1	Short flash after power on
	<b>Not ocup.</b>	1	0	0	1	1	
<b>MB V.31</b> (E class W211 Temic)	<b>Ocuped</b>	1	0	1	0	0	Short flash after power on, and go on when emulator receiving request from SRS control unit
	<b>Not ocup.</b>	1	0	1	0	0	
<b>MB V.4</b> (S class 220 (2000-2004))	<b>Ocuped</b>	1	0	1	1	1	Short flash after power on
	<b>Not ocup.</b>	1	0	1	1	1	
<b>Mazda V.1</b> (most Mazda cars from 1997 to 2006)	<b>Ocuped</b>	1	1	0	0	1	Short flash after power on
	<b>Not ocup.</b>	1	1	0	0	1	
<b>BMW V.1</b> (E38, E39, E46 (1996-2004))	<b>Ocuped</b>	1	1	0	1	0	Short flash after power on
	<b>Not ocup.</b>	1	1	0	1	0	
<b>Fiat Stilo V.1</b>	<b>Ocuped</b>	1	1	1	0	0	Short flash after power on
	<b>Not ocup.</b>	1	1	1	0	0	

[1]-Jumper short; [0]-Jumper open